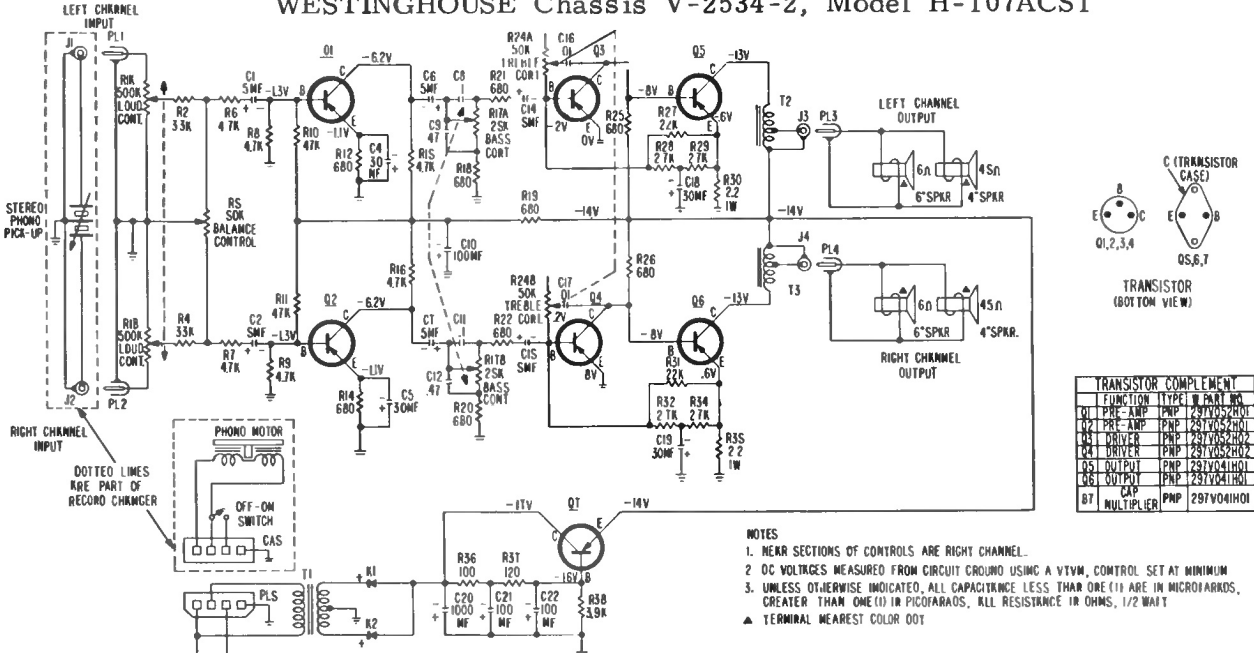


WESTINGHOUSE Chassis V-2534-2, Model H-107ACS1



TRANSISTOR COMPLEXY			
FUNCTION	TYPE	W. PART NO.	PA.
Q1	PRE-AMP	PNP 281V052H01	
Q2	PRE-AMP	PNP 281V052H01	
Q3	DRIVER	PNP 281V052H02	
Q4	DRIVER	PNP 281V052H02	
Q5	OUTPUT	PNP 281V041H01	
Q6	OUTPUT	PNP 281V041H01	
BT	MULTIPLIER	PNP 297V041H01	

- NOTES
1. NEAR SECTIONS OF CONTROLS ARE RIGHT CHANNEL.
 2. DC VOLTAGES MEASURED FROM CIRCUIT GROUND USING A VTVM, CONTROL SET AT MINIMUM.
 3. UNLESS OTHERWISE INDICATED, ALL CAPACITANCE LESS THAN ONE (1) ARE IN MICROFARADS, GREATER THAN ONE (1) IN PICOFARADS, ALL RESISTANCE IN OHMS, 1/2 WATT.
- ▲ TERMINAL NEAREST COLOR DOT